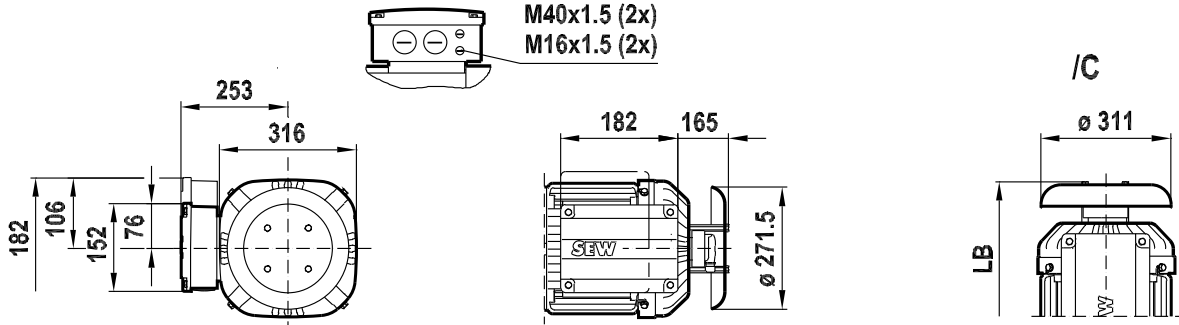




**Dimension Sheets for DR./DRL Series AC Motors/Brakemotors**  
 Dimension sheets for asynchronous DRL servomotors

**DRL180L**

08 437 01 08  
 1 (1)



**/FF (B5)**  
 FF300

**/Fl.. (B3)**

