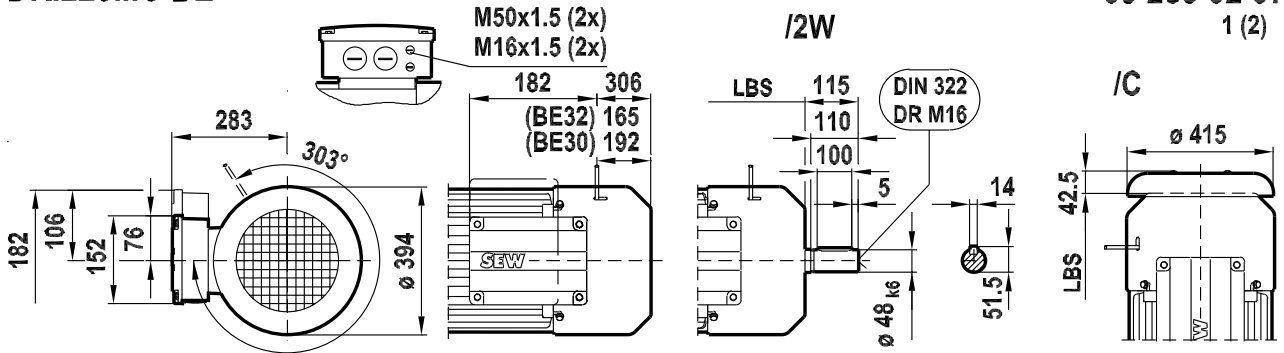




Dimension Sheets for DR./DRL Series AC Motors/Brakemotors
 Dimension sheets for DR. AC motors

DR.225MC BE

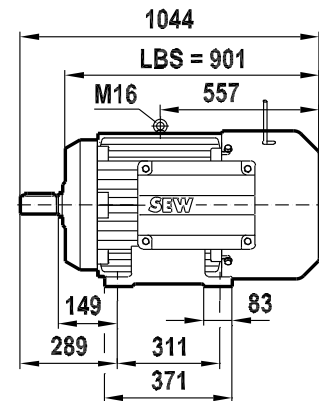
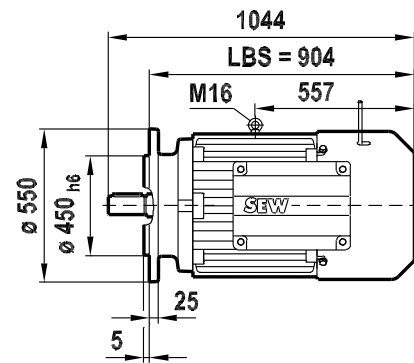
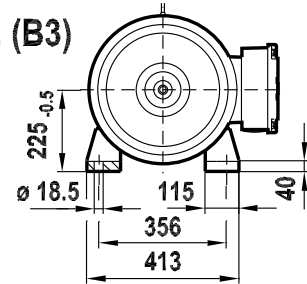
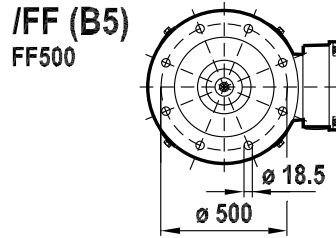
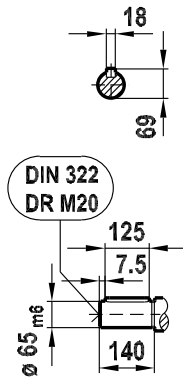
09 239 02 07
 1 (2)



DRS225MC BE

/FF (B5)
 FF500

/Fl.. (B3)

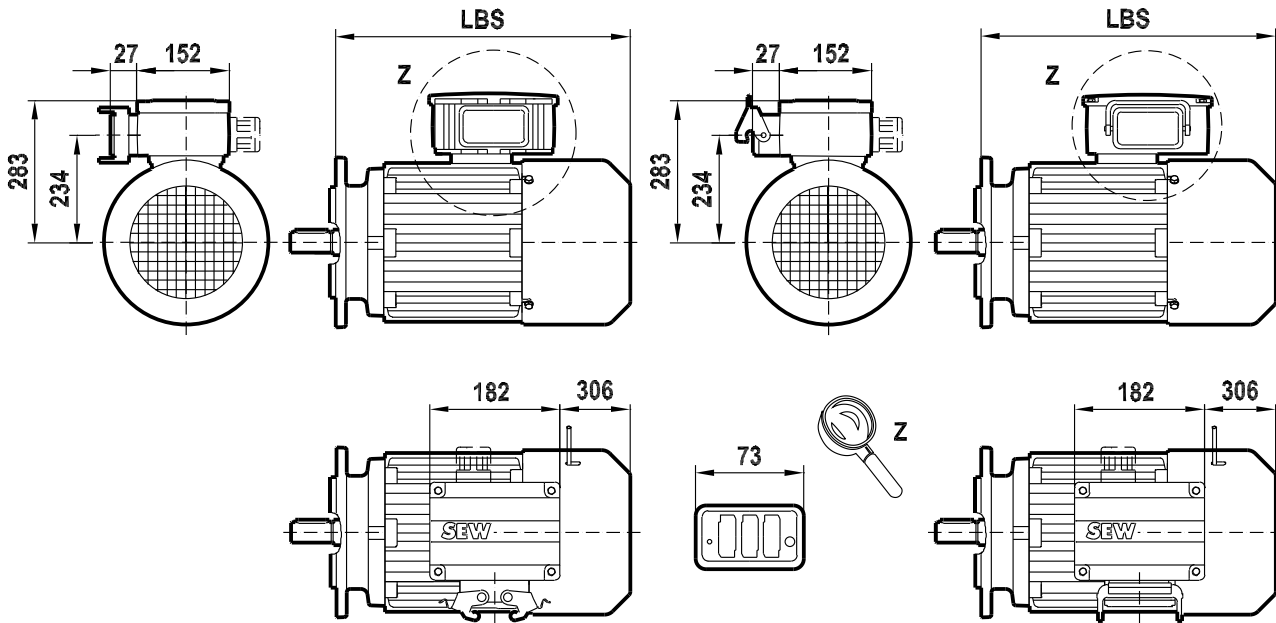




DR.225MC BE

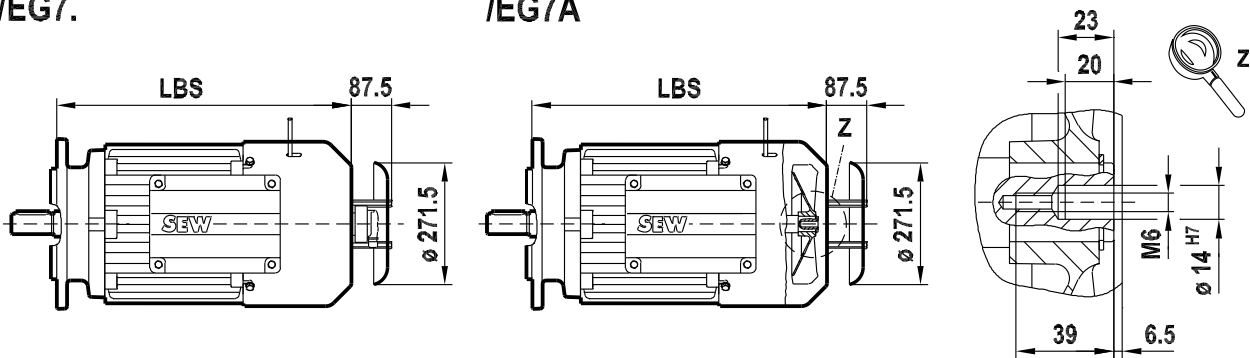
09 239 02 07
2 (2)

/IV



/EG7.

/EG7A



/EG7.IV

/IV

