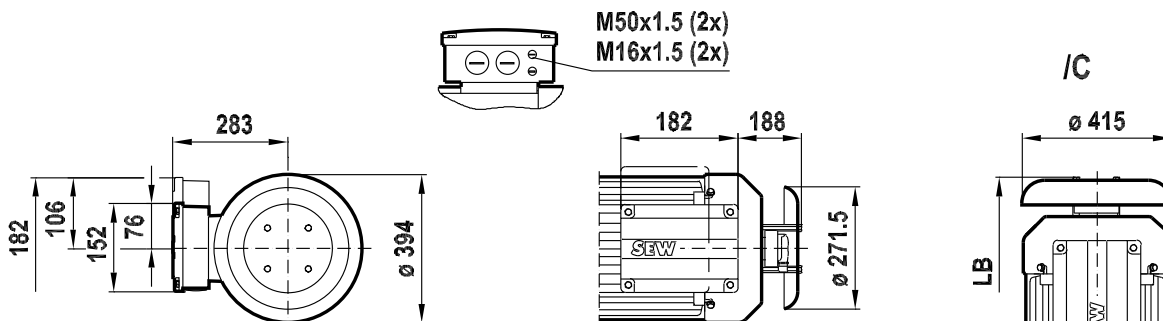




Dimension Sheets for DR./DRL Series AC Motors/Brakemotors
 Dimension sheets for asynchronous DRL servomotors

DRL225MC

08 440 01 08
1 (1)



/FF (B5)
FF500

/Fl. (B3)

