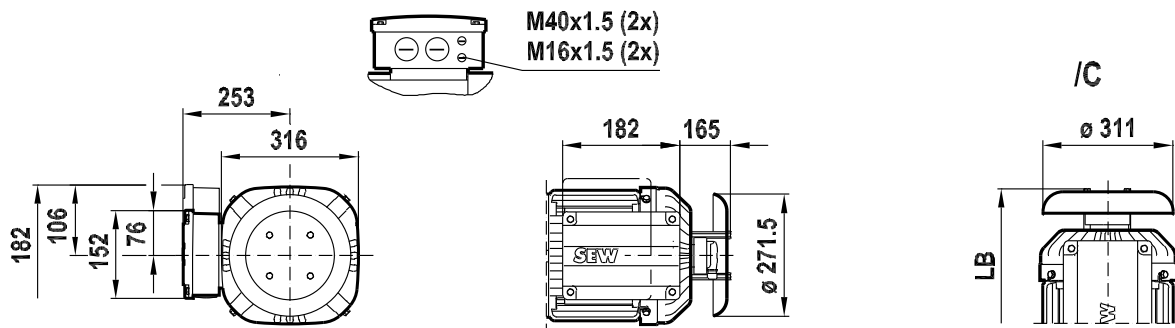




**Dimension Sheets for DR./DRL Series AC Motors/Brakemotors**  
 Dimension sheets for asynchronous DRL servomotors

**DRL180LC**

08 438 01 08  
 1 (1)



**/FF (B5)**  
 FF350

**/Fl.. (B3)**

