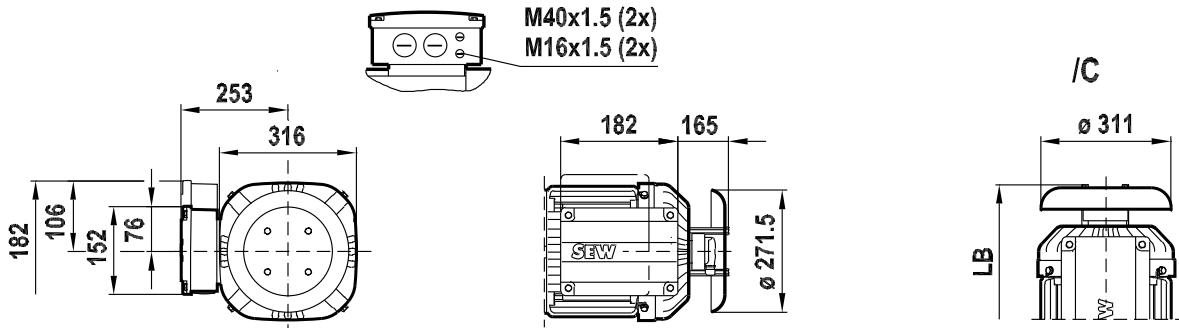




**Dimension Sheets for DR./DRL Series AC Motors/Brakemotors**  
 Dimension sheets for asynchronous DRL servomotors

**DRL180M**

**08 436 01 08**  
 1 (1)



**/FF (B5)**  
 FF300

**/Fl.. (B3)**

