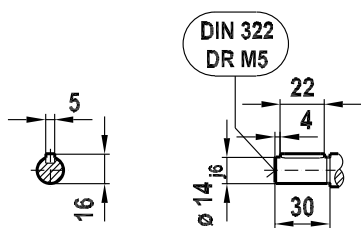
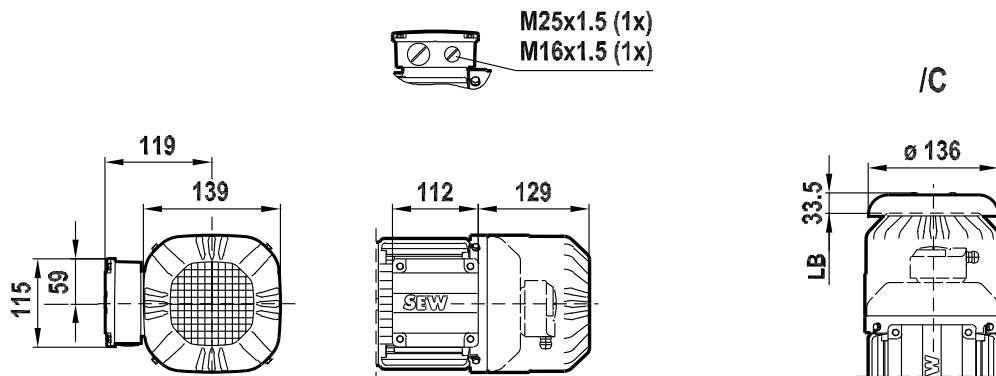




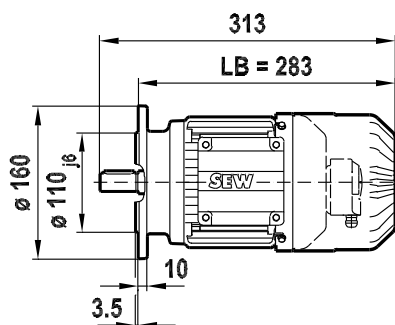
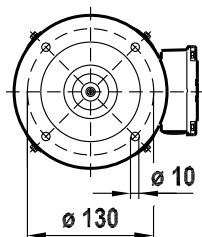
7.5 Dimension sheets for asynchronous DRL servomotors

DRL71S

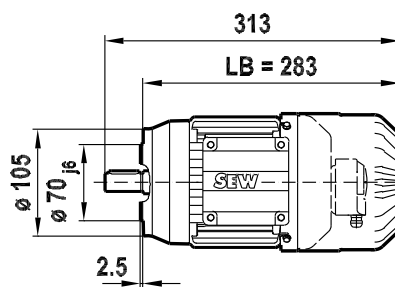
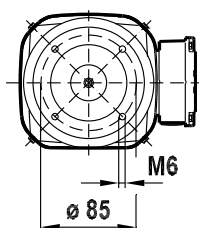
08 428 00 08
1 (1)



/FF (B5) FF130



/FT (B14) FT85



/Fl. (B3)

