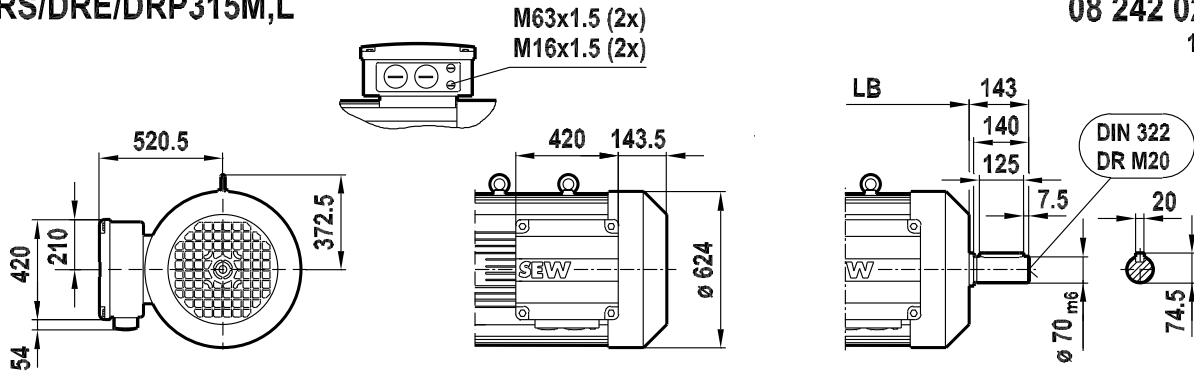




**Dimension Sheets for DR./DRL Series AC Motors/Brakemotors**  
 Dimension sheets for DR. AC motors

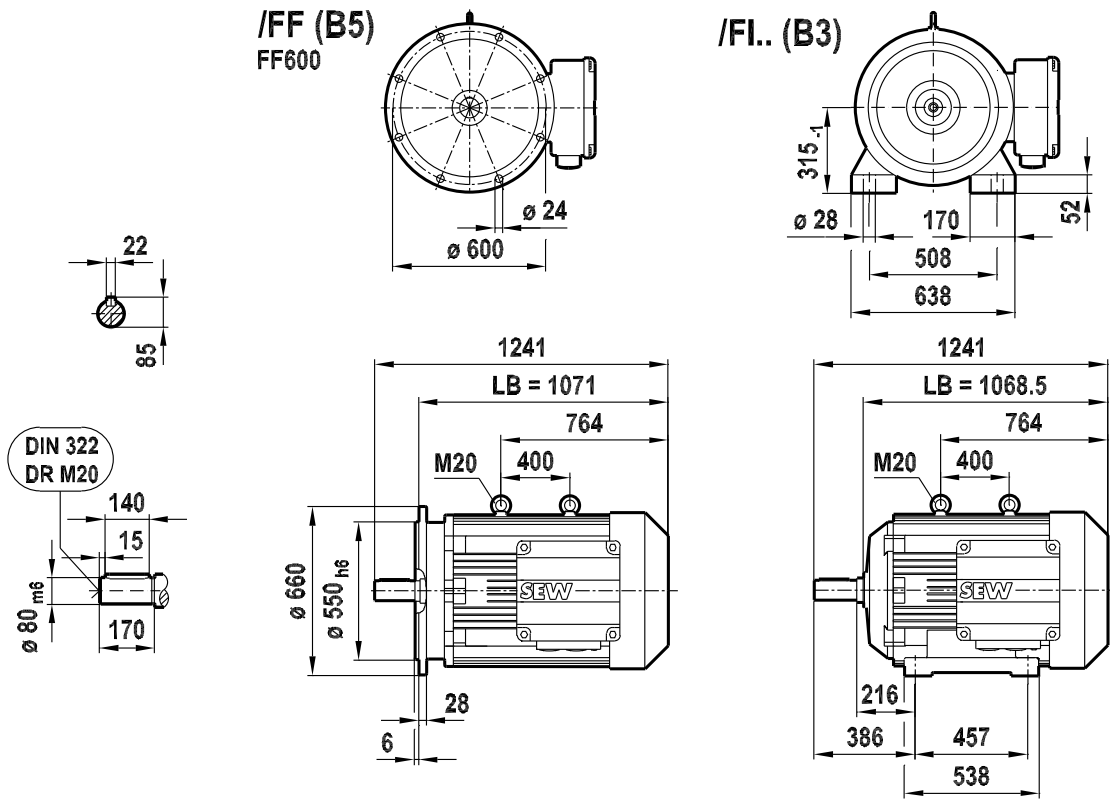
**DRS/DRE/DRP315M,L**

08 242 02 07  
 1 (1)



**/FF (B5)  
 FF600**

**/FI. (B3)**



**/C**

**/AH7.  
 /EH7.**

**/V  
 /AH7.V  
 /EH7.V**

